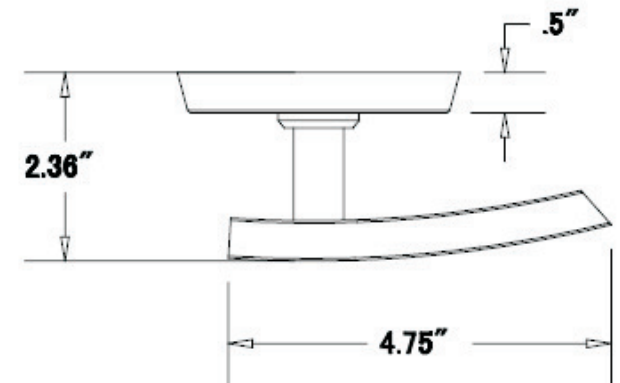
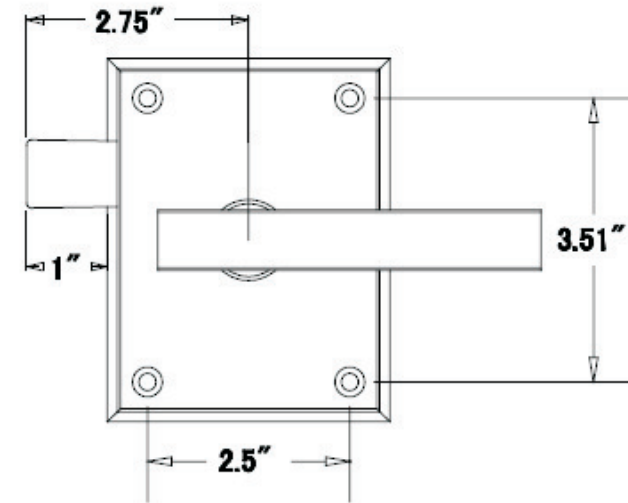
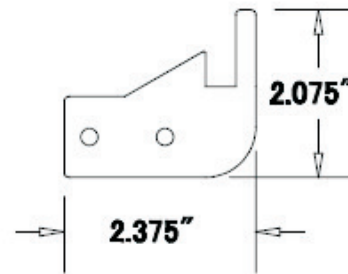
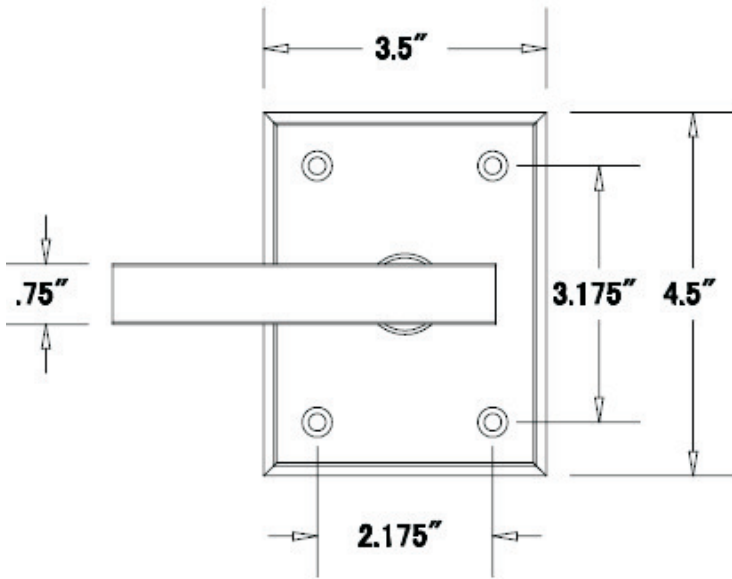


# Alta Contemporary Latch for Outswinging Gates



**Material:** 316 Stainless Steel

**Mechanism:** Spring-Loaded

**Finishes Available:** Brushed Finish

**Backset:** 2-3/8"

**Set Includes:** Mounting hardware, strike plate, gate stop

**Dimensions:**

Plate: 3-1/2" w x 4-1/2" h

Handle: 4-3/4" l x 3/4" w x 3/4" d

Latch-arm length: 1" past edge of plate

Strike: 2-1/8" h x 2-3/8" w x 3/8" thick

Projection: 2-3/8"

**Fits gates:** Up to 5-1/2" thick

**Operable:** From both sides

**Suitable for:** Out-swinging

**Handing:** Required

**Lockable:** With separate deadbolt

**Item#:** Alta-Reverse

**360yardware**

life's too short for crummy hardware

www.360yardware.com

Phone: 866.923.9273

Email: sales@360yardware.com

**Description:** Alta Contemporary Gate Latch for Outswinging Gates

**Material/Finish:** 316 Stainless Steel

Updated 06/14/2018