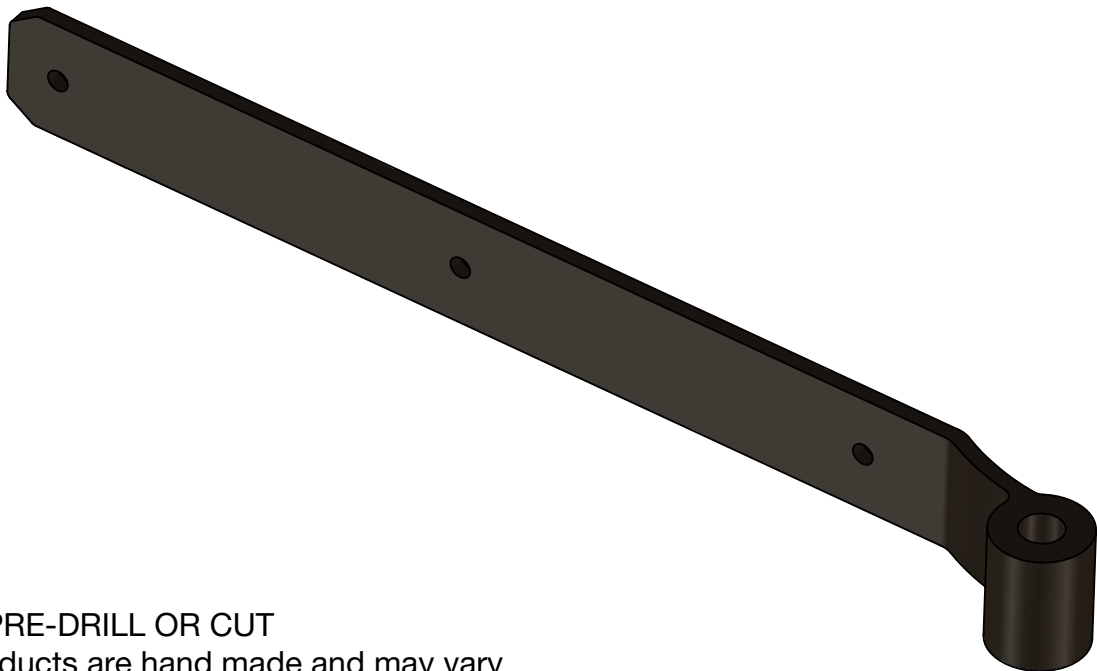
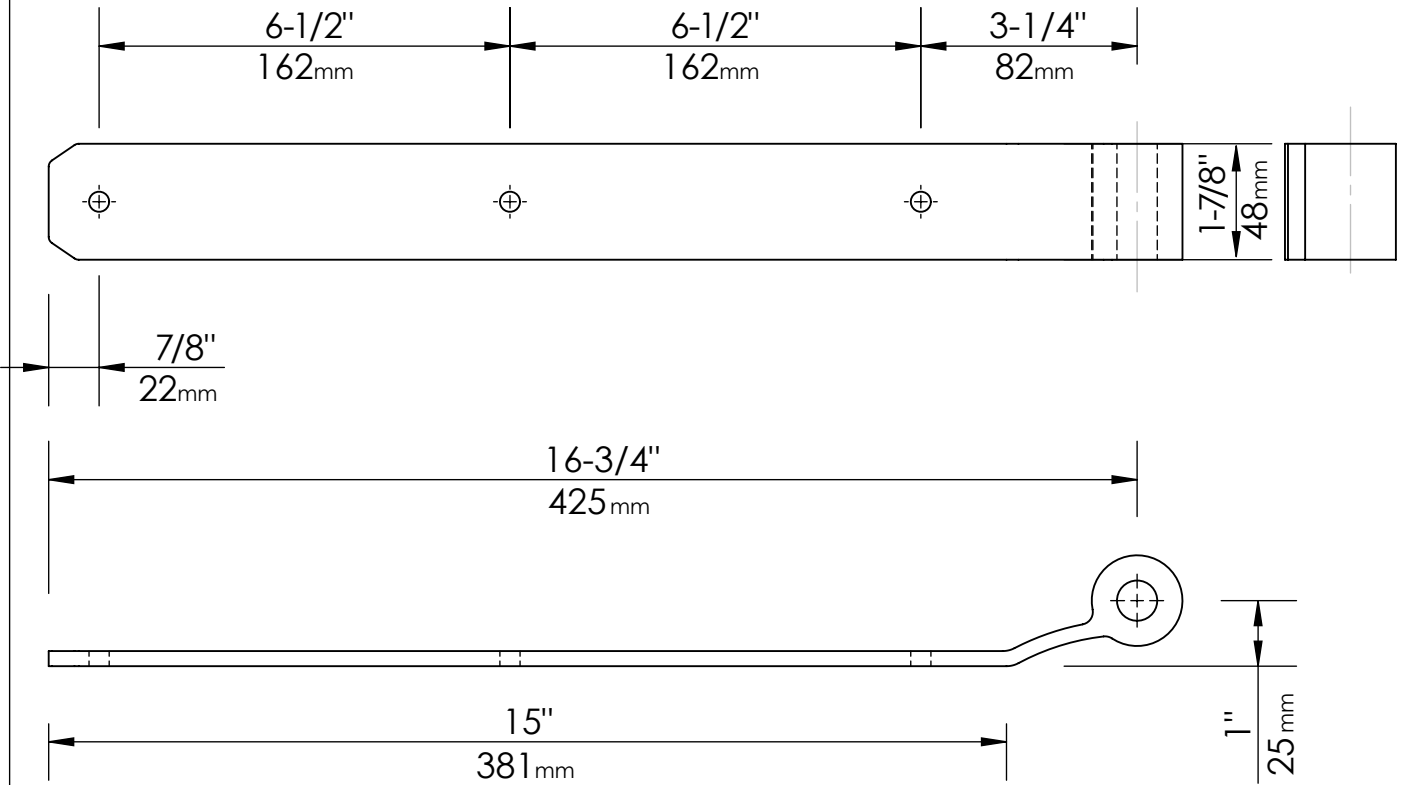




F4-317



DO NOT PRE-DRILL OR CUT
All the products are hand made and may vary slightly from stated dimensions. Drawings for planning and illustration purposes only.